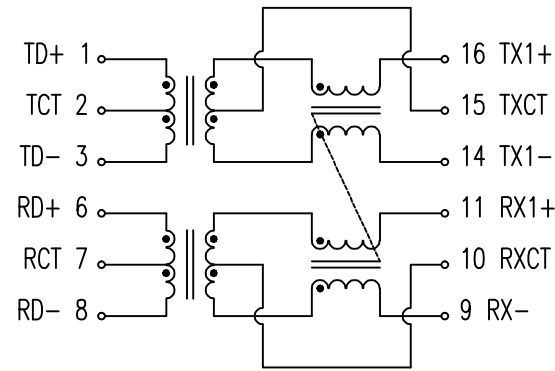


SUGGESTED PAD LAYOUT

TOLERANCES: xx.x0±0.25  
0.xx±0.05



ELECTRICAL SPECIFICATIONS @ 25°C :

1. TURNS RATIO : 1CT : 1CT
2. OCL (100KHz, 0.1V WITH 8mA/DC BIAS) : 350uH MIN.
3. CROSS TALK : 30MHz = -45dB MIN.  
60MHz = -40dB MIN.  
100MHz = -35dB MIN.
4. INSERTION LOSS : 1-100MHz = -1.2dB MAX.
5. RETURN LOSS (@100Ω) : 1-30MHz = -16dB MIN.  
40MHz = -14dB MIN.  
50MHz = -13dB MIN.  
60-80MHz = -12dB MIN.
6. DCMRR : 30MHz = -43dB MIN.  
60MHz = -37dB MIN.  
100MHz = -33dB MIN.
7. HI-POT : 1500Vrms
8. RoHS COMPLIANT

⚠ PoE APPLICATION WITH 350mA CURRENT CAPABILITY

								TITLE 10 / 100 BASE-TX TRANSFORMER	
								DWG. NO. ATPL-046ER	
A	ADD NOTE	04/21/2014	SHIRLEY	BETTY	BETTY	UNITS: M/M		SAFETY	
	RELEASE	04/07/2011	SHIRLEY	BETTY	BETTY	DATE 04/07/11		P/N: SHEET 1 of 1	
NO:	DESCRIPTION	DATE	BY	CHK	APPD	REVISIONS		DRAW SHIRLEY	