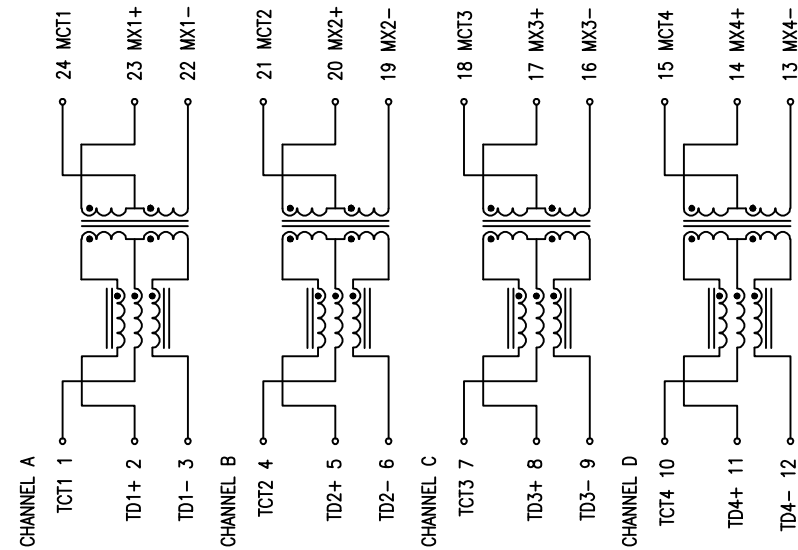


SUGGESTED PAD LAYOUT



ELECTRICAL CHARACTERISTICS :

- INSULATION HI-POT(PRI./SEC.) : 1500Vrms
- TURN RATIO ($\pm 5\%$) : TX = 1CT : 1CT , RX = 1CT : 1CT
- ACL : 350uH MIN. 100KHz/0.1V AT 8mA DC BIAS
- INSERTION LOSS (dB MAX.) : 0.3-1MHz 1-65MHz 65-100MHz

-1.1	-0.8	-1.0
------	------	------
- RETURN LOSS (dB MIN.) : 1-40MHz 40-100MHz

-18	-[12-20LOG(f/80MHz)]
-----	----------------------
- CROSS TALK (dB MIN.) : 0.3-100MHz

-[33-20LOG(f/100MHz)]

- DCMR(dB MIN) : 0.3-100MHz

-35

- CMRR(dB MIN) : 0.3-100MHz

-30

- RoHS COMPLIANT

					AOEM		TITLE PoE SINGLE 1000 BASE-T	
							DWG. NO. ATPL-418R	
RELEASE		01/24/2014	SHIRLEY	BETTY	BETTY	UNITS: M/M	SAFETY	
NO:	DESCRIPTION	DATE	BY	CHK	APPD	DATE 01/24/14	P/N:	SHEET 1 of 1
REVISIONS								DRAW SHIRLEY