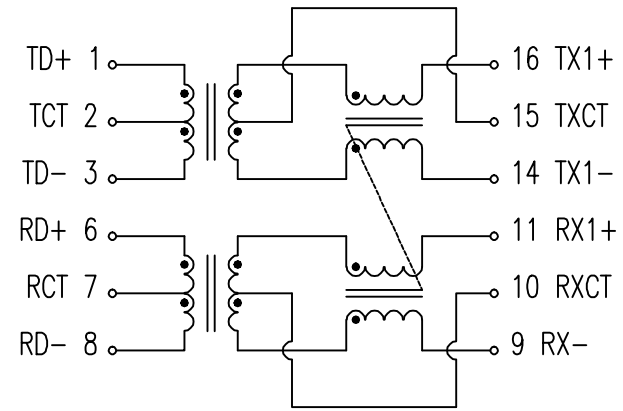


SUGGESTED PAD LAYOUT

TOLERANCES: xx.x0 ± 0.25
0.xx ± 0.05



ELECTRICAL SPECIFICATIONS @ 25°C :

1. TURNS RATIO : 1CT : 1CT
2. OCL (100KHz, 0.1V WITH 8mA/DC BIAS) : 350uH MIN.
3. HI-POT : 1500Vrms
4. CROSS TALK : 30MHz = -45dB MIN.
60MHz = -40dB MIN.
100MHz = -35dB MIN.
5. INSERTION LOSS : 1-100MHz = -1.2dB MAX.
6. RETURN LOSS (@100Ω) : 1-30MHz = -16dB MIN.
40MHz = -14dB MIN.
50MHz = -13dB MIN.
60-80MHz = -12dB MIN.
7. DCMRR : 30MHz = -43dB MIN.
60MHz = -37dB MIN.
100MHz = -33dB MIN.
8. Suitable for End-span PoE applications with 720mA current capability
9. OPERATING TEMPERATURE RANGE : -40°C ~ +85°C
10. RoHS COMPLIANT

							TITLE 10/100 BASE-TX PoE TRANSFORMER	
							DWG. NO. ATPL-458R	
RELEASE		06/19/2013	SHIRLEY	BETTY	BETTY	UNITS: M/M	SAFETY	
NO:	DESCRIPTION	DATE	BY	CHK	APPD	DATE 06/19/13	P/N:	SHEET 1 of 1
REVISIONS						DRAW		SHIRLEY