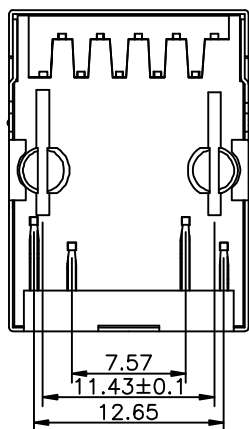
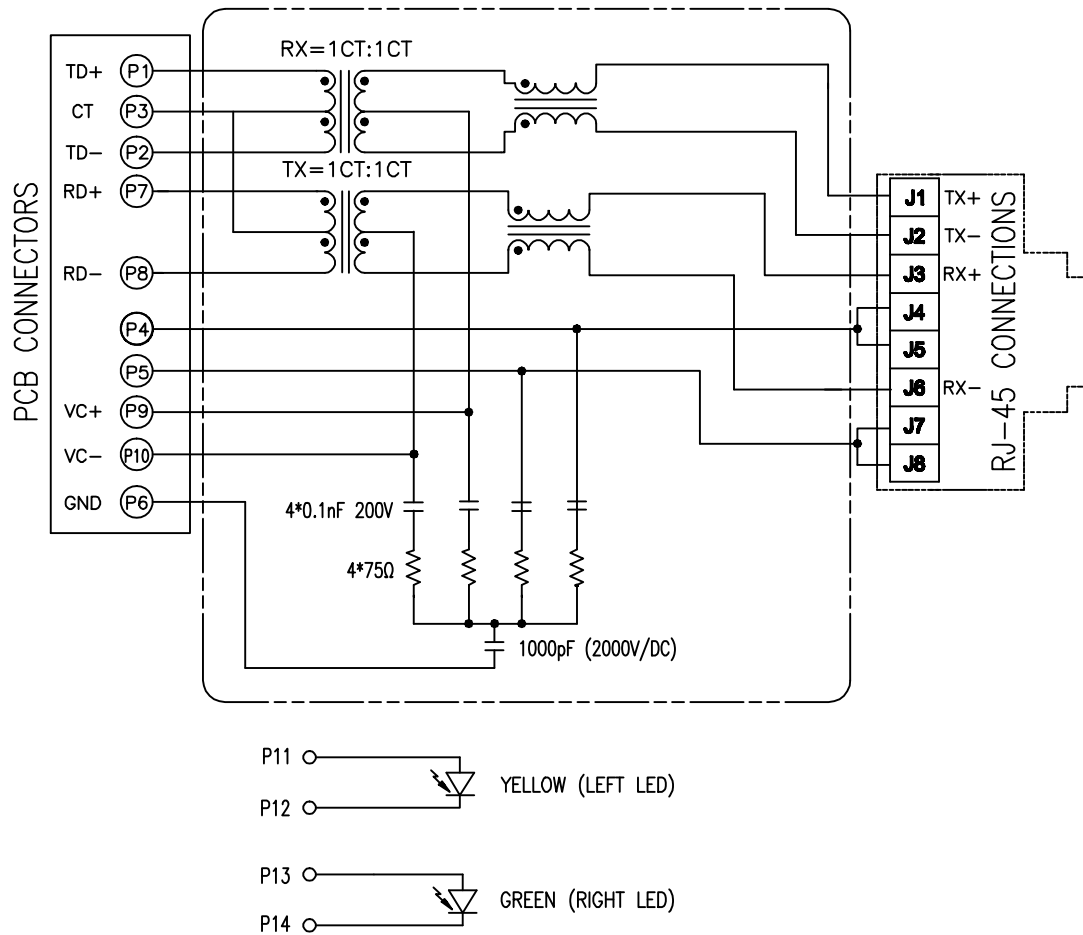


P.C.B RECOMMENDED HOLE LAYOUT SEEN FROM COMPONENT SIDE.
ALL CENTERLINE DIMENSIONS ARE BASIC



							TITLE RJ45 1*1 w/Transformer PoE 10/100 w/ LED	
							DWG. NO. RJC-113R	
RELEASE	12/22/2015	SHIRLEY	BETTY	BETTY	UNITS: M/M	SAFETY		SHEET 1 of 2
NO:	DESCRIPTION	DATE	BY	CHK	APPD	DATE	P/N:	DRAW
REVISIONS					12/22/15			SHIRLEY



ELECTRICAL CHARACTERISTICS :

1. TURNS RATIO : TX/RX = 1CT : 1CT ±3%.
2. HI-POT : 1500 Vrms.
3. OCL (@100kHz / 0.1Vrms, WITH 8MA DC BIAS) : 350uH MIN.
4. INSERTION LOSS (@1-100MHz) = -1.2 dB MAX.
5. RETURN LOSS : 1~30MHz = -18dB MIN.
30~60MHz = -14dB MIN.
60~80MHz = -12dB MIN.
6. CROSS TALK (@1-100MHz) = -30dB MIN.
7. CMRR (@1-100MHz) : -30dB MIN.
8. OPERATING TEMPERATURE RANGE : -40°C~+85°C
9. STORAGE TEMPERATURE RANGE : -40°C~+85°C
10. PoE RATING : 30W, 720mA, 48V
11. RoHS COMPLIANT

							TITLE RJ45 1*1 w/Transformer PoE 10/100 w/ LED	
							DWG. NO. RJC-113R	
RELEASE		12/22/2015	SHIRLEY	BETTY	BETTY	UNITS: M/M	SAFETY	
NO:	DESCRIPTION	DATE	BY	CHK	APPD	DATE	P/N:	SHEET 2 of 2
REVISIONS						12/22/15	DRAW SHIRLEY	