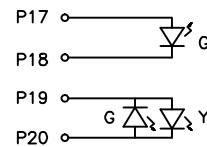
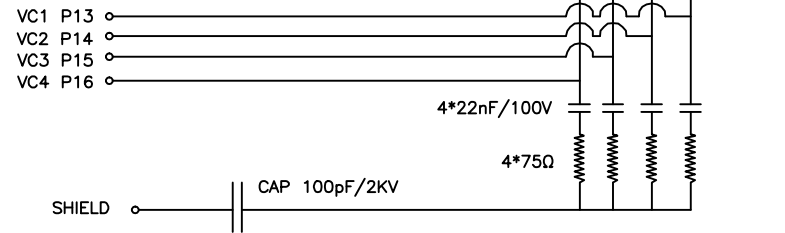
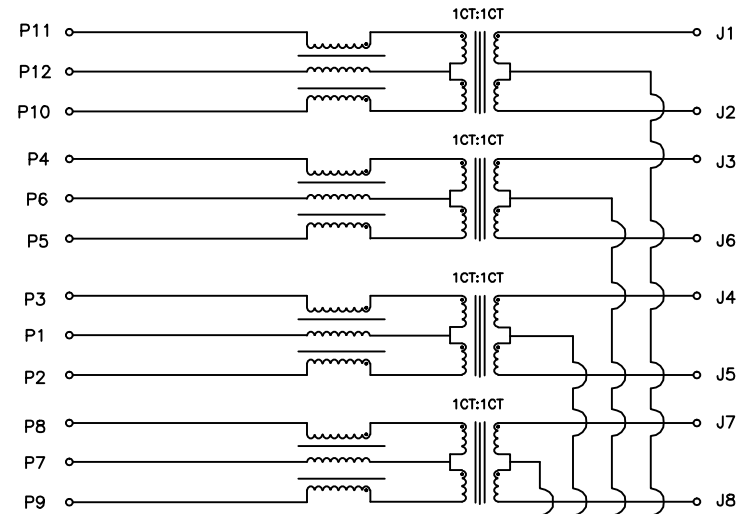


P.C.B RECOMMENDED HOLE LAYOUT SEEN FROM COMPONENT SIDE.
 ALL CENTERLINE DIMENSIONS ARE BASIC




ALL THE RAW MATERIALS MEET RoHS STANDARD

							TITLE RJ45 1*1 1000 Base-T With Magnetic PoE w/LED Module	
							DWG. NO. RJC-114R	
RELEASE		12/23/2015	SHIRLEY	BETTY	BETTY	UNITS: M/M	SAFETY	
NO:	DESCRIPTION	DATE	BY	CHK	APPD	DATE 12/23/15	P/N:	SHEET 1 of 2
REVISIONS						12/23/15	DRAW Shirley	

ELECTRICAL CHARACTERISTICS :

1. TURNS RATIO : TX/RX = 1CT : 1CT ±3%
2. HI-POT : 1500Vrms
3. OCL (@100kHz/0.1Vrms, WITH 8mA DC BIAS) : 350uH MIN.
4. INSERTION LOSS : (1-100MHz) = -1.0dB MAX.
5. RETUEN LOSS : 1~30MHz = -18dB MIN.
 30~60MHz = -16dB MIN.
 60~100MHz = -12dB MIN.
6. COMMON MODE REJECTION : 1~50MHz = -30dB MIN.
 50~150MHz = -20dB MIN.
7. CROSS TALK : 1~30MHz = -40dB MIN.
 30~60MHz = -35dB MIN.
 60~100MHz = -30dB MIN.
8. PoE RATING : 15W, 350mA, 48V
9. OPERATING TEMPERATURE : -40°C~85°C
 STORAGE TEMPERATURE : -40°C~85°C
10. RoHS COMPLIANT

								TITLE RJ45 1*1 1000 Base-T With Magnetic PoE w/LED Module	
								DWG. NO. RJC-114R	
RELEASE		12/23/2015	SHIRLEY	BETTY	BETTY	UNITS: M/M		SAFETY	
NO:	DESCRIPTION	DATE	BY	CHK	APPD	DATE	P/N:	DRAW	
REVISIONS						12/23/15		Shirley	
								SHEET 2 OF 2	