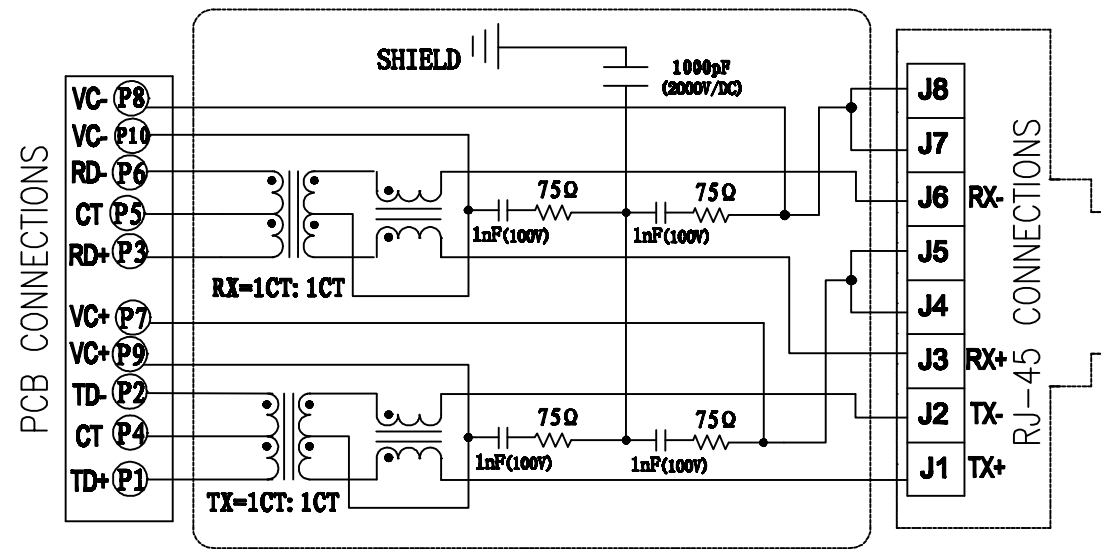


P.C.B RECOMMENDED HOLE LAYOUT SEEN FROM COMPONENT SIDE.
ALL CENTERLINE DIMENSIONS ARE BASIC

							TITLE RJ45 1*1 w/Transformer PoE 10/100 w/ LED	
							DWG. NO. RJC-178R	
RELEASE		06/19/2018	SHIRLEY	BETTY	BETTY	UNITS: M/M	SAFETY	
NO:	DESCRIPTION	DATE	BY	CHK	APPD	DATE	P/N:	SHEET 1 OF 2
REVISIONS						06/19/18	DRAW SHIRLEY	



ELECTRICAL CHARACTERISTICS :

1. TURNS RATIO : TX/RX = 1CT : 1CT ±3%.
2. HI-POT : 1500 Vrms.
3. OCL (@100kHz / 0.1Vrms, WITH 8MA DC BIAS) : 350uH MIN.
4. INSERTION LOSS (@0.1-100MHz) = -1.2 dB MAX.
5. RETURN LOSS : 1~30MHz = -18dB MIN.
30~60MHz = -14dB MIN.
60~80MHz = -12dB MIN.
6. CROSS TALK (@1-100MHz) = -30dB MIN.
7. CMRR (@1-100MHz) : -30dB MIN.
8. OPERATING TEMPERATURE RANGE : -40°C~+85°C
9. STORAGE TEMPERATURE RANGE : -40°C~+85°C
10. PoE RATING : 15W, 350mA, 48V (For PoE Products Only)
11. RoHS COMPLIANT

					AOEM <small>Advanced OEM</small>		TITLE RJ45 1*1 w/Transformer PoE 10/100 w/ LED	
							DWG. NO. RJC-178R	
RELEASE		06/19/2018	SHIRLEY	BETTY	BETTY	UNITS: M/M	SAFETY	
NO:	DESCRIPTION	DATE	BY	CHK	APPD	DATE	P/N:	SHEET 2 OF 2
REVISIONS						06/19/18	DRAW SHIRLEY	